

TOWELS WITH C/Z FOLDS

Wall mounted



DT0106
White epoxy finish



DT0106C
Bright finish



DT0106CS
Satin finish

General Description

- Manual paper towel dispenser, surface mounted, designed and manufactured by Mediclinics
- Robust and vandal-resistant, these dispensers are designed to be installed in any type of public washroom. Models for a more efficient use of the paper and suitable for different washroom environments: gymnasiums, sports centers, hospitals and health centers, hotels and similar type installations; solutions even for use in different places.
- Models suitable for C/Z folded paper towels; in this category, products are available that allow amounts ranging between 400 and 600 towels.
- All Mediclinics paper towel dispensers are supplied with a lock and special key for opening and screws. These dispensers are especially designed so that the paper can be easily replaced.

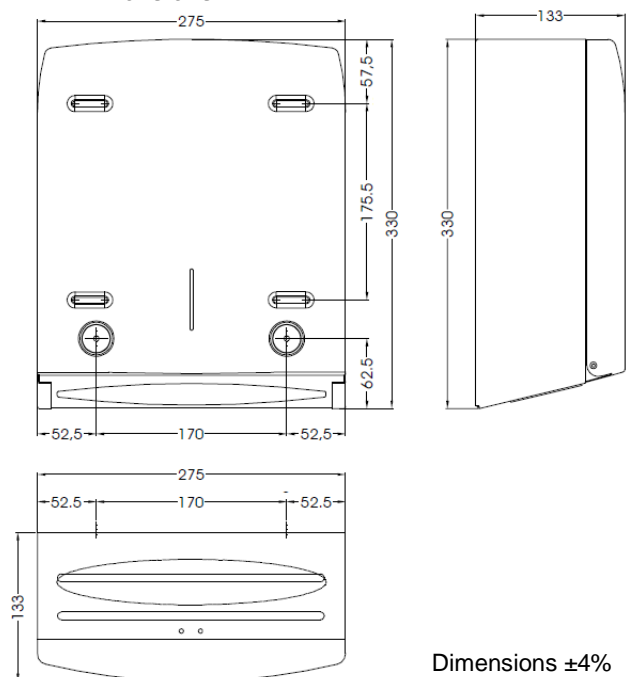
Components & materials

- **DT0106:** steel, white epoxy finish.
- **DT0106C:** stainless steel AISI 304, bright finish.
- **DT0106CS:** stainless steel AISI 304, satin finish.
- **BODY:** 0.8mm thick fully welded with burr-free edges.
- **LID:** seamless one-piece, 0,8mm thick, fixed to the body by means of 2 rivets that allows swinging down of lid for replenishment. It has an slot at the front that indicates the content level.
- **BACK-PLATE:** 0.6 mm thick, with multiple slots for easy installation.
- **TOWEL TRAY OPENING:** has bound edges to minimize tearing of paper towels.

Technical specifications

Dimensions	275x330x133 mm
Paper capacity	Max. 260x100 mm
Thickness of body and lid	0,8 mm
Weight (empty)	1,80 kg
Weight (empty)	1,80 kg
C-fold towel capacity	400 units
Z-fold towel capacity	600 units

Dimensions



Dimensions ±4%

MOUNTING TEMPLATE

130-160 cm at lower point. // 85-120 cm at lower point (for handicapped people)

It is mounted on the wall by means of 4 screws with their corresponding Ø6mm wall plugs (screws and wall plugs provided). The support of the screws in the back of the appliance are acting as an anti-moisture support, as well as allowing an easy adjustment to the wall.