

SURFACE

Push-button



DJF0032C – Bright finish

General Description

- Foam soap dispenser of 1.5 L capacity, manufactured in stainless steel AISI 304, 0,8 mm thick, to be installed directly on the wall and hand-operated by means of a push-button.
- Available in three finishes (white, bright and satin) these soap dispenser models have a functional, robust and trendy design that matches the new range of Mediclinics bathroom accessories. This allows this soap dispenser to blend into any space perfectly.
- Suitable for high traffic facilities and for public use.
- Dispenses foam soaps.

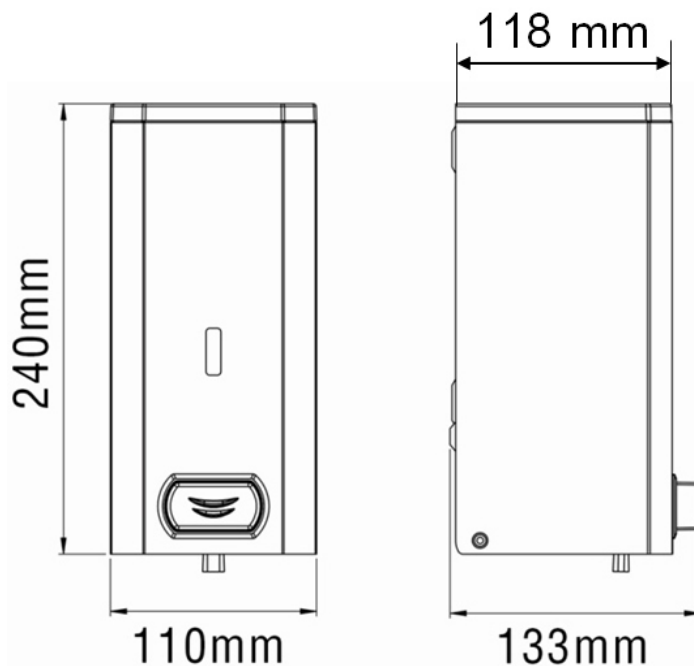
Components & materials

- **DJF0032:** Stainless steel AISI 304, white epoxy finish.
- **DJF0032C:** Stainless steel AISI 304, bright finish.
- **DJF0032CS:** Stainless steel AISI 304, satin finish.
- Level display in the front part that constantly indicates the level of soap available inside the soap dispenser.
- Inner plastic tank that prevents oxidation and that can be easily removed for cleaning and disinfection purposes.
- Push-button made in stainless steel.
- Anti-drip corrosion resistant valve that dispenses 1.0 ml of soap per service. This anti-drip valve, which dispenses liquid soap, is easily interchangeable with the valves of the other soap dispensers of the same line.
- Hinged cover for operator convenience and speed of service.
- Opening on top with provided Mediclinics key that allows soap refill.
- It is mounted on the wall by means of four Ø4 stainless steel screws (provided) with their corresponding Ø 6mm plastic plugs (also provided).
- It is recommended to use foam soaps with a density between 0.95 and 1.05 kg/dm³.

Technical Specifications:

Dimensions	240 x 110 x 133 mm
Capacity	1.500 ml
Body, cover & base plate thickness	0.8 mm
Inner Tank Thickness	2.5 mm
Net weight	1.25 Kg
Quantity dispensed per pump	1.0 ml

Dimensions



Dimensions ± 4%